

## Standard Preparation Cupboard with 2 Drawers - no top, 500mm

ITEM # \_\_\_\_\_

MODEL # \_\_\_\_\_

NAME # \_\_\_\_\_

SIS # \_\_\_\_\_

AIA # \_\_\_\_\_



133177 (RAU5002DW)

Cupboard with 2 drawers -  
no Top, 500mm

### Short Form Specification

**Item No.** \_\_\_\_\_

Made entirely from stainless steel. Inner welded frame in stainless steel.

No top unit for integrated solutions. Base panel in 304 AISI stainless steel and height-adjustable intermediate shelf. 2 GN 1/1 Drawers made in 304 AISI stainless steel with rounded corners. Mounted on feet, adjustable in height.

### Main Features

- Ideal for central positioning in the kitchen, either as island installation or back to back.
- Handles in stainless steel for better hygiene and reliability.
- Sturdiness, stability and reliability of table accurately tested.

### Construction

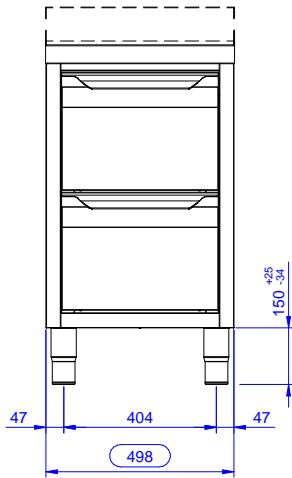
- Reinforced side and base panel in 304 AISI stainless steel.
- 304 AISI stainless steel feet, 200 mm high and 54 mm in diameter, adjustable by -50/+30 mm.
- Inner welded frame in stainless steel to guarantee superior strength and stability.
- Without top for integrated solutions.

### Optional Accessories

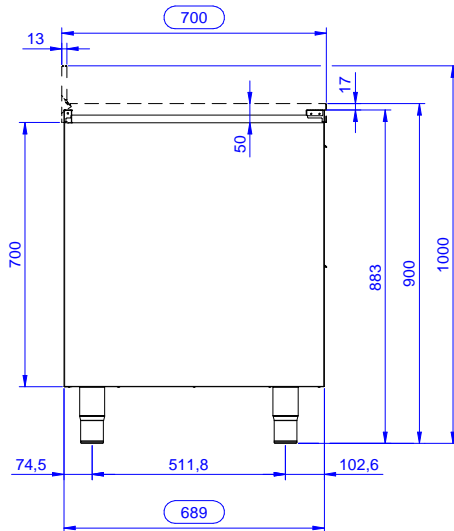
- Stainless steel front kicking strip PNC 133205
- Side kicking strip, 700 mm PNC 133206

APPROVAL: \_\_\_\_\_

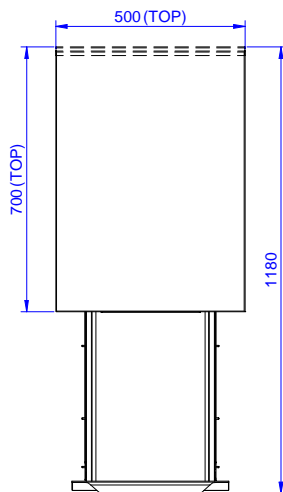
Front



Side



Top


**Key Information:**

External dimensions, Width:	
133177 (RAU5002DW)	500 mm
External dimensions, Depth:	700 mm
External dimensions, Height:	883 mm
Number and type of doors:	Sliding
Net weight:	38 kg